

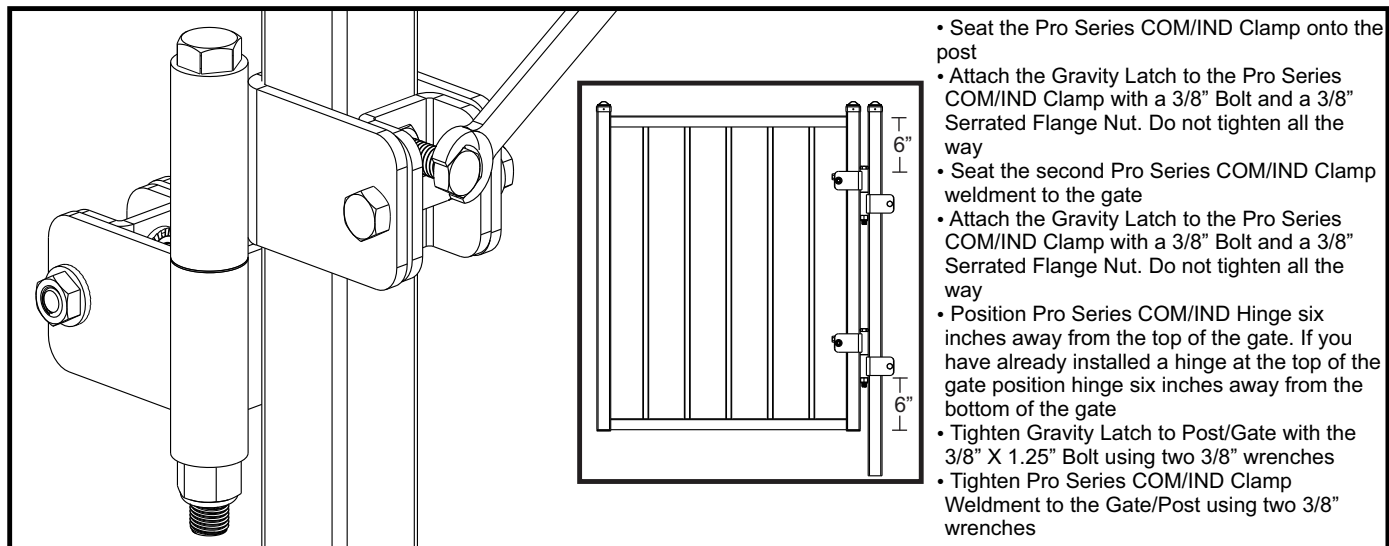
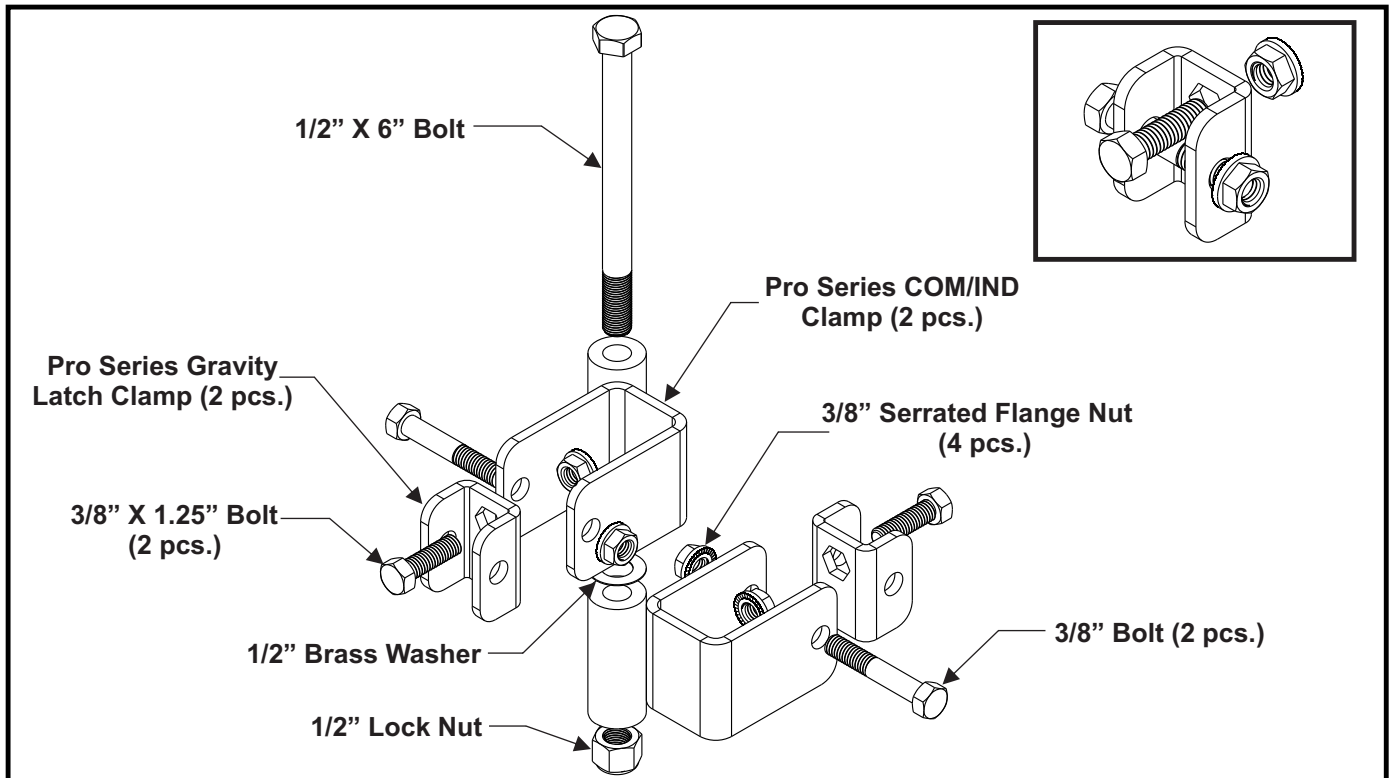
## Installation Instructions for ProSeries Commercial / Industrial Hinge

It is the responsibility of the installer to meet all code and safety requirements as well as obtain all required building permits. The installer should determine and implement appropriate installation techniques for each installation situation. The Fortress Company and its distributors shall not be held liable for improper or unsafe installations.

### Read Instructions Completely Before Starting Installation

#### Required Materials

2 - 3/8" Wrenches and 2 - 1/2" Wrenches



- Seat the Pro Series COM/IND Clamp onto the post
- Attach the Gravity Latch to the Pro Series COM/IND Clamp with a 3/8" Bolt and a 3/8" Serrated Flange Nut. Do not tighten all the way
- Seat the second Pro Series COM/IND Clamp weldment to the gate
- Attach the Gravity Latch to the Pro Series COM/IND Clamp with a 3/8" Bolt and a 3/8" Serrated Flange Nut. Do not tighten all the way
- Position Pro Series COM/IND Hinge six inches away from the top of the gate. If you have already installed a hinge at the top of the gate position hinge six inches away from the bottom of the gate
- Tighten Gravity Latch to Post/Gate with the 3/8" X 1.25" Bolt using two 3/8" wrenches
- Tighten Pro Series COM/IND Clamp Weldment to the Gate/Post using two 3/8" wrenches

For technical assistance, please email: [technicalhelp@fortressfence.com](mailto:technicalhelp@fortressfence.com)  
Hours of Operation: Monday through Friday 8:00 AM to 5:00 PM, CST  
Phone: 1-866-323-4766 Fax: 972-644-3720  
[www.fortressfence.com](http://www.fortressfence.com)